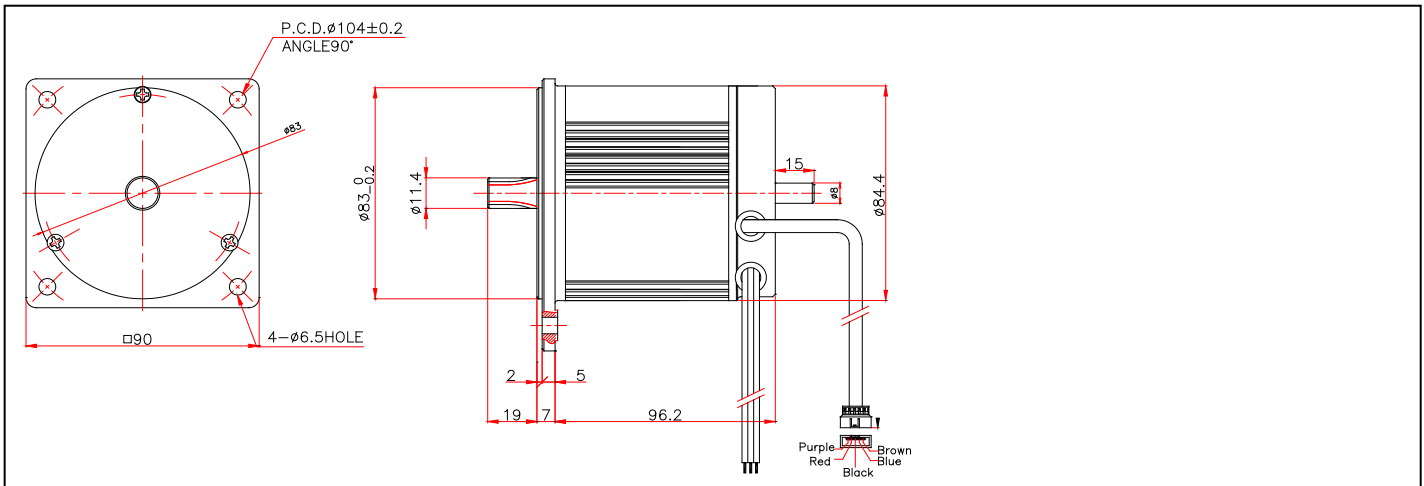


MPSI BLDC MOTOR

90mm

MAEB-074DAB

Dimensions



Specification

Voltage	No Load		Rated Load			Rotation	Applications
	[V DC]	[A DC]	[RPM]	[A DC]	[RPM]		
24 ~ 27	1.4Max	3300 ± 5%	17.0	2,800 ± 5%	10.0	CW / CCW	- Electronic Wheelchair - FA (Geared-Type)

Item	Value
Out Put Power	300 [W]
Efficiency	78 [%] (System Efficiency)
Operating Temperature	-20 ~ 60 [°C]
Insulation Class	F

Item	Value
Bearing Type	Ball (6001ZZ / 608ZZ)
Rating	Continuous
Weight	2.0 [kg]
Drive Type	Exterior-Type
Drive Model	400MF

※ 1. Gear Ratio : 3 ~ 200 : 1

2. Technical Data contained within this document is subject to change without notice